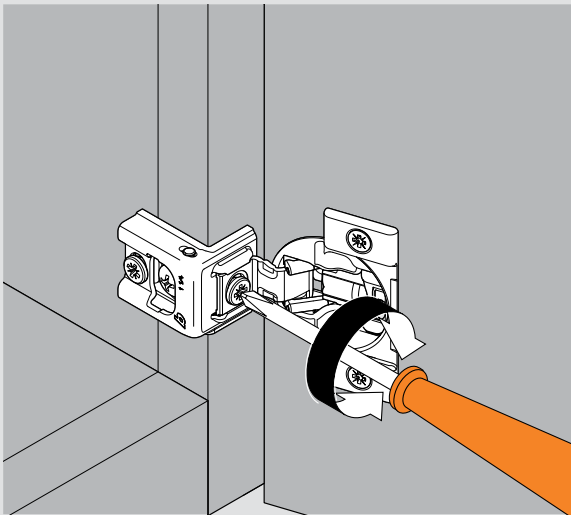
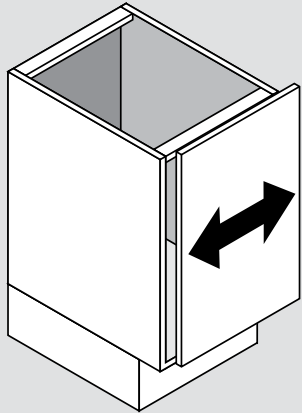


Door adjustment

Three-dimensional adjustment

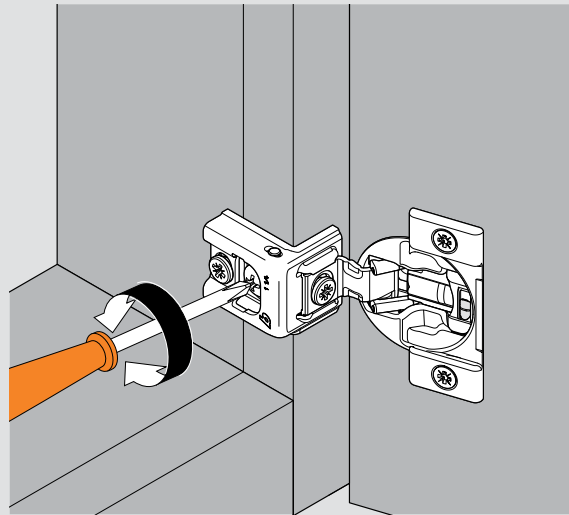
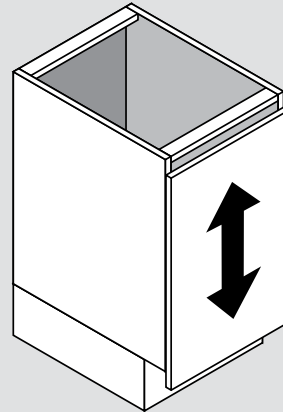
Side adjustment

Rotate the front cam screw to increase or decrease door overlay (+/- 1/16").



Height adjustment

Loosen installation screws to adjust door position (+/- 1/8"), then retighten.



Depth adjustment

Rotate the rear cam screw to adjust door gap (+ 3/32", - 1/32").

